

Housing:

Free-cutting or forged carbon steel, Zinc plated, liner with PTFE

Inner ring:

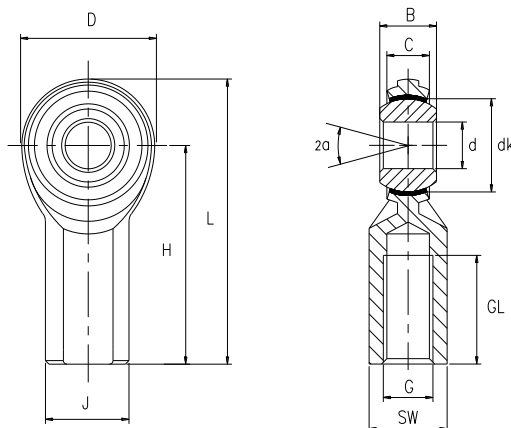
Bearing steel, hardened, ground, polished, chrome plated

Sliding contact surface:

Steel/PTFE, maintenance free

杆端体: 碳钢, 车制件或精锻件, 镀白锌, 衬有PTFE自润滑材料

内圈: 轴承钢, 淬火, 磨加工, 抛光, 镀铬



Bearing No.	Dimensions in inches											Load	Weight	
型号	尺寸 inch											负荷	重量	
	d	B	C	D	H	L	J	dk	SW	G	GL	α	stat.	
	+0.015	+0.000			± 0.015		± 0.010		± 0.010	Thread	+0.062		C. (Lbf)	\approx Lbs
	-0.0005	-0.005								UNF-2B	-0.031			
GIZ 3T	.1900	.312	.234	.625	1.062	1.375	.406	.437	.312	10-32	.500	20	1,350	.04
GIZ 4T	.2500	.375	.250	.750	1.312	1.687	.469	.500	.375	1/4-28	.687	27	1,730	.05
GIZ 5T	.3125	.437	.312	.875	1.375	1.813	.500	.593	.437	5/16-24	.687	22	2,625	.08
GIZ 6T	.3750	.500	.359	1.000	1.625	2.125	.687	.687	.562	3/8-24	.812	22	3,645	.13
GIZ 7T	.4375	.562	.406	1.125	1.812	2.375	.750	.781	.625	7/16-20	.937	21	4,470	.18
GIZ 8T	.5000	.625	.453	1.312	2.125	2.781	.875	.875	.750	1/2-20	1.062	20	7,230	.29
GIZ 10T	.6250	.750	.484	1.500	2.500	3.25	1.000	1.062	.875	5/8-18	1.375	26	8,210	.43
GIZ 12T	.7500	.875	.593	1.750	2.875	3.75	1.125	1.250	1.000	3/4-16	1.562	24	12,280	.65

Bearing No.	Dimensions millimeters											Load	Weight	
型号	尺寸 mm											负荷	重量	
	d	B	C	D	H	L	J	dk	SW	G	GL	α	stat.	
	+0.038	+0.00			± 0.38		± 0.25		± 0.25	Thread	+1.57		C. (KN)	\approx kgs
	-0.013	-0.13								UNF-2B	-0.79			
GIZ 3T	4.826	7.92	5.94	15.88	26.97	34.91	10.31	11.10	7.92	10-32	12.70	20	6	.018
GIZ 4T	6.350	9.53	6.35	19.05	33.32	42.85	11.91	12.70	9.53	1/4-28	17.45	27	7.7	.023
GIZ 5T	7.938	11.10	7.92	22.23	34.93	46.04	12.70	15.06	11.10	5/16-24	17.45	22	11.7	.036
GIZ 6T	9.525	12.70	9.12	25.40	41.28	53.98	17.45	17.45	14.27	3/8-24	20.62	22	16.2	.059
GIZ 7T	11.113	14.27	10.31	28.58	46.02	60.31	19.05	19.84	15.88	7/16-20	23.80	21	19.9	.082
GIZ 8T	12.700	15.88	11.51	33.32	53.98	70.64	22.23	22.23	19.05	1/2-20	26.97	20	32.2	.132
GIZ 10T	15.875	19.05	12.29	38.10	63.50	82.55	25.40	26.97	22.23	5/8-18	34.93	26	36.5	.195
GIZ 12T	19.050	22.23	15.06	44.45	73.03	95.25	28.58	31.75	25.40	3/4-16	39.67	24	54.6	.295

Female thread: for a left hand thread, add L (example: GIZL..T)

内螺纹:对左螺纹, 加 L (例如: GIZL..T)

