

Housing:

Free-cutting or forged carbon steel, Zinc plated

Insert:

Molded, lubricative reinforced nylon

Inner ring:

Bearing steel, hardened, ground, polished, chrome plated

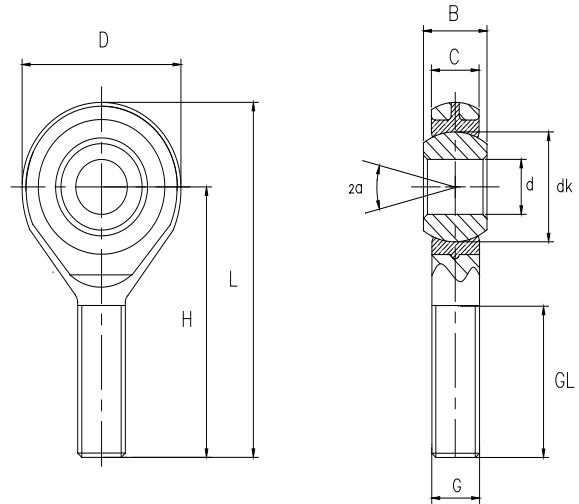
Sliding contact surface:

Steel/nylon, maintenance free

杆端体: 碳钢, 车制件或精锻件, 镀白锌

衬套: 浇铸自润滑加强尼龙

内圈: 轴承钢, 淬火, 磨加工, 抛光, 镀铬



Bearing No. 型号	Dimensions millimeters 尺寸 mm							Load ratings 负荷			Weight 重量		
	d	B	C	D	H	L	dk	G	GL	α	dyn. C (KN)	stat. C ₀ (KN)	≈kg
			max					6g	min				
SA 5 N	5	8	6	18	33	42	11.1	M5	20	13	3.3	4.3	0.013
SA 6 N	6	9	6.75	20	36	46	12.7	M6	22	13	4.3	6	0.02
SA 8 N	8	12	9	24	42	54	15.9	M8	25	14	7.1	11	0.03
SA 10 N	10	14	10.5	28	48	62	19	M10	29	13	10	17	0.055
SA 12 N	12	16	12	32	54	70	22.2	M12	33	13	13.5	21	0.085
SA 14 N	14	19	13.5	36	60	78	25.4	M14	36	16	17	26	0.14
SA 16 N	16	21	15	42	66	87	28.5	M16	40	15	21.5	32	0.21
SA 18 N	18	23	16.5	44	72	94	31.7	M18×1.5	44	15	26	38.5	0.28
SA 20 N	20	25	18	50	78	103	34.9	M20×1.5	47	14	31.5	44	0.38
SA 22 N	22	28	20	54	84	111	38.1	M22×1.5	51	15	38	53	0.48
SA 25 N	25	31	22	60	94	124	42.9	M24×2	57	15	47	74	0.64
SA 28 N	28	35	25	66	103	136	47.6	M27×2	62	15	60	89	0.96
SA 30 N	30	37	25	70	110	145	50.8	M30×2	66	17	64	94	1.1

Male thread: for a left hand thread, add L (example: SAL..N)

外螺纹: 对左螺纹, 加 L (例如: SAL..N)