

Housing:

Free-cutting or forged carbon steel, Zinc plated

Insert:

Bronze inserted from both sides

Inner ring:

Bearing steel, hardened, ground, polished

Greasing:

Fitted with hydraulic grease nipples

Sliding contact surface:

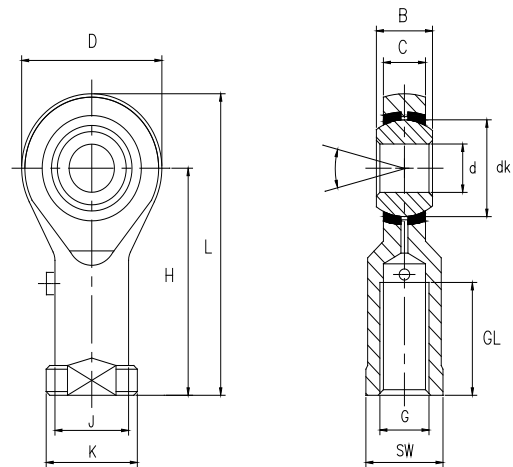
Steel/bronze, requiring maintenance

杆端体: 碳钢, 车制件或精锻件, 镀白锌

衬套: 两面镶嵌入黄铜

内圈: 轴承钢, 淬火, 磨加工, 抛光

渗油: 带油嘴, 油润滑



Bearing No.	Dimensions millimeters													Load ratings		Weight
型号	尺寸 mm													负荷		重量
	d	B	C	D	H	L	K	J	dk	SW	G	GL	α	dyn.	stat.	
			max								6H	min		C (KN)	C ₀ (KN)	≈kg
PHS 5	5	8	6	16	27	35	11	8.5	11.1	9	M5	10	13	3.3	6	0.016
PHS 6	6	9	6.75	18	30	39	13	10	12.7	11	M6	12	13	4.3	7	0.025
PHS 8	8	12	9	22	36	47	16	12.5	15.9	14	M8	16	14	7.1	10	0.046
PHS 10	10	14	10.5	26	43	56	19	15	19	17	M10	20	13	10	14	0.076
PHS 12	12	16	12	30	50	65	22	17.5	22.2	19	M12	22	13	13.5	18.8	0.1
PHS 14	14	19	13.5	34	57	74	25	20	25.4	22	M14	25	16	17	22	0.16
PHS 16	16	21	15	40	64	84	27	22	28.5	22	M16	28	15	21.5	26	0.22
PHS 18	18	23	16.5	44	71	93	31	25	31.7	27	M18x1.5	32	15	26	32.5	0.32
PHS 20	20	25	18	50	77	102	34	27.5	34.9	30	M20x1.5	33	14	31.5	36.5	0.42
PHS 22	22	28	20	54	84	111	38	30	38.1	32	M22x1.5	37	15	38	53	0.54
PHS 25	25	31	22	60	94	124	42	33.5	42.9	36	M24x2	42	15	47	62	0.75
PHS 28	28	35	25	66	103	136	46	37	47.6	41	M27x2	48	15	60	69	0.98
PHS 30	30	37	25	70	110	145	50	40	50.8	41	M30x2	51	17	64	82	1.13

Female thread: for a left hand thread, add L (example: PHS..L)

内螺纹:对左螺纹, 加 L (例如: PHS..L)