

Housing:

Free-cutting or forged carbon steel, Zinc plated

Insert: free-cutting bronze or steel with PTFE

Inner ring:

Bearing steel, hardened, ground, polished or chrome platec

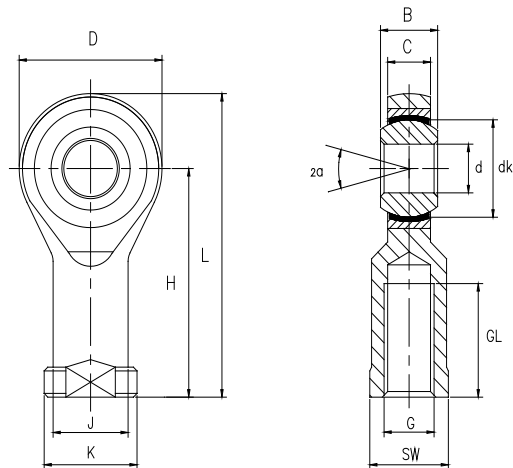
Sliding contact surface:

Bronze or steel/PTFE, maintenance free

杆端体: 碳钢, 车制件或精锻件, 镀白锌

衬套: 铜或钢衬, PTFE自润滑

内圈: 轴承钢, 淬火, 磨加工, 抛光或镀铬



Bearing No.		Dimensions millimeters											Load ratings		Weight	
型号		尺寸 mm											负荷		重量	
d	B	C	D	H	L	K	J	dk	SW	G	GL	α	dyn.	stat.		
										6H	min		C (KN)	C ₀ (KN)	≈kg	
SI 4 TK	4	7	5.25	16	24	32	9.5	7.8	9.53	8	M4X0.7	10	13	2.3	4	0.011
SI 5 TK	5	8	6	18	27	36	11	8.5	11.1	9	M5X0.8	10	13	3.3	6	0.016
SI 6 TK	6	9	6.75	20	30	40	13	10	12.7	11	M6X1	12	13	4.3	7.5	0.025
SI 8 TK	8	12	9	24	36	48	16	12.5	15.9	14	M8X1.25	16	14	7.1	13	0.046
SI 10 TK	10	14	10.5	28	43	57	19	15	19	17	M10X1.5	20	13	10	18	0.076
SI 10 TKA	10	14	10.5	28	43	57	19	15	19	17	M10X1.25	20	13	10	18	0.076
SI 12 TK	12	16	12	32	50	66	22	17.5	22.2	19	M12X1.75	22	13	13.5	23.5	0.1
SI 12 TKA	12	16	12	32	50	66	22	17.5	22.2	19	M12X1.25	22	13	13.5	23.5	0.1
SI 14 TK	14	19	13.5	36	57	75	25	20	25.4	22	M14X2	25	16	17	24	0.16
SI 14 TKA	14	19	13.5	36	57	75	25	20	25.4	22	M14X1.5	25	16	17	24	0.16
SI 16 TK	16	21	15	42	64	85	27	22	28.5	22	M16X2	28	15	21.5	31	0.22
SI 16 TKA	16	21	15	42	64	85	27	22	28.5	22	M16X1.5	28	15	21.5	31	0.22
SI 18 TK	18	23	16.5	44	71	93	31	25	31.7	27	M18x1.5	32	15	26	38.5	0.32
SI 20 TK	20	25	18	50	77	102	34	27.5	34.9	30	M20x1.5	33	14	31	42.5	0.42
SI 22 TK	22	28	20	54	84	111	38	30	38.1	32	M22x1.5	37	15	42	53	0.54
SI 25 TK	25	31	22	60	94	124	42	33.5	42.9	36	M24x2	42	15	53	68	0.75
SI 28 TK	28	35	25	66	103	136	46	37	47.6	41	M27x2	48	15	59	86	0.98
SI 30 TK	30	37	25	70	110	145	50	40	50.8	41	M30x2	51	17	70	88	1.13
SI 30 TKA	30	37	25	70	110	145	50	40	50.8	41	M27x2	51	17	70	88	1.13
SI 35 TK	35	43	28	81	125	165.5	58	46	57.2	50	M36x2	56	16	80	101	1.6
SI 40 TK	40	49	35	91	142	187.5	69	57	66	60	M42x2	60	17	116	124	2.77
SI 50 TK	50	60	45	117	160	218.5	78	65	82	65	M48x2	65	12	185	308	5

Female thread: for a left hand thread, add L (example: SIL..D)

内螺纹:对左螺纹, 加 L (例如: SIL..D)