

**Housing:**

Free-cutting or forged carbon steel, Zinc plated

**Insert:** free-cutting bronze or steel with PTFE

**Inner ring:**

Bearing steel, hardened, ground, polished or chrome plated

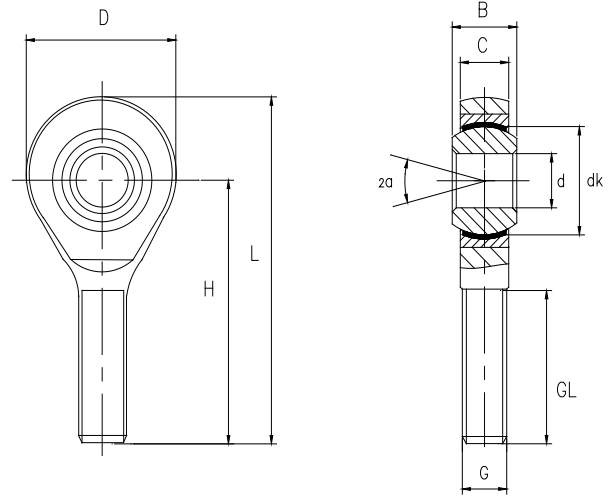
**Sliding contact surface:**

Bronze or steel/PTFE, maintenance free

杆端体: 碳钢, 车制件或精锻件, 镀白锌

衬套: 铜或钢衬, PTFE自润滑

内圈: 轴承钢, 淬火, 磨加工, 抛光或镀铬



Bearing No. 型号	Dimensions millimeters 尺寸 mm										Load ratings 负荷		Weight 重量
	d	B	C	D	H	L	dk	G	GL	$\alpha$	dyn. C (KN)	stat. C <sub>0</sub> (KN)	
								6g	min				≈kg
SA 4 TK	4	7	5.25	16	30	38	9.53	M4X0.7	19	13	2.3	2.8	0.009
SA 5 TK	5	8	6	18	33	42	11.1	M5X0.8	20	13	3.3	4.3	0.013
SA 6 TK	6	9	6.75	20	36	46	12.7	M6X1	22	13	4.3	6	0.02
SA 8 TK	8	12	9	24	42	54	15.9	M8X1.25	25	14	7.1	11	0.03
SA 10 TK	10	14	10.5	28	48	62	19	M10X1.5	29	13	10	17	0.055
SA 12 TK	12	16	12	32	54	70	22.2	M12X1.75	33	13	13.5	21	0.085
SA 14 TK	14	19	13.5	36	60	78	25.4	M14X2	36	16	17	26	0.14
SA 16 TK	16	21	15	42	66	87	28.5	M16X2	40	15	21.5	32	0.21
SA 18 TK	18	23	16.5	44	72	94	31.7	M18x1.5	44	15	26	38.5	0.28
SA 20 TK	20	25	18	50	78	103	34.9	M20x1.5	47	14	31.5	44	0.38
SA 22 TK	22	28	20	54	84	111	38.1	M22x1.5	51	15	38	53	0.48
SA 25 TK	25	31	22	60	94	124	42.9	M24x2	57	15	47	74	0.64
SA 28 TK	28	35	25	66	103	136	47.6	M27x2	62	15	60	89	0.96
SA 30 TK	30	37	25	70	110	145	50.8	M30x2	66	17	64	94	1.1
SA 35 TK	35	43	28	81	140	180.5	57.1	M36x2	85	16	80	101	1.6
SA 40 TK	40	49	33	91	150	195.5	66.6	M42x2	90	17	116	124	2.57
SA 50 TK	50	60	45	117	185	243.5	82.5	M48x2	105	12	185	308	4.8

Male thread: for a left hand thread, add L (example: SAL..D)

外螺纹: 对左螺纹, 加 L (例如: SAL..D)