

**Outer ring:**

Bearing steel with sliding material of PTFE

**Inner ring:**

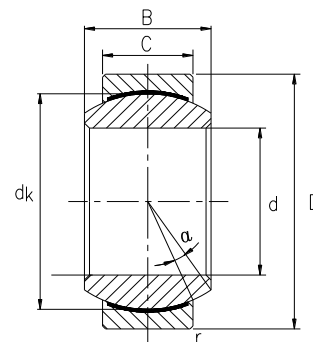
Bearing steel, hardened, ground, polished, chrome plated

**Sliding contact surface:**

Steel/PTFE, maintenance free

外圈: 轴承钢, 衬有 PTFE 自润滑材料

内圈: 轴承钢, 淬火, 磨加工, 抛光, 镀硬铬



Bearing No. 型号	Dimensions in inches 尺寸 inch							Load 负荷	Weight 重量
	d	D	C	B	dk	r	α	stat.	
	+0.015	+0.000	±0.005	±0.005				C <sub>0</sub> (Lbf)	≈Lbs
	-0.0005	-0.0007							
COM 3T	.1900	.5625	.218	.281	.406	.015	11	4,875	.014
COM 4T	.2500	.6562	.250	.343	.500	.022	13.5	7,430	.022
COM 5T	.3125	.7500	.281	.375	.562	.032	12	9,720	.03
COM 6T	.3750	.8125	.312	.406	.656	.032	10	12,610	.038
COM 7T	.4375	.9062	.343	.437	.687	.032	8	14,190	.047
COM 8T	.5000	1.0000	.390	.500	.813	.032	9.5	19,890	.065
COM 9T	.5625	1.0937	.437	.562	.906	.032	9.5	24,960	.086
COM 10T	.6250	1.1875	.500	.625	1.000	.032	8.5	31,940	.11
COM 12T	.7500	1.4375	.593	.750	1.187	.044	9	47,910	.204
COM 14T	.8750	1.5625	.703	.875	1.312	.044	9.5	62,980	.263
COM 16T	1.0000	1.7500	.797	1.000	1.500	.044	10	82,860	.386

Bearing No. 型号	Dimensions in millimeters 尺寸 mm							Load 负荷	Weight 重量
	d	D	C	B	dk	r	α	stat.	
	+0.038	+0.000	±13	±13				C <sub>0</sub> (KN)	≈kg
	-0.013	-0.018							
COM 3T	4.826	14.288	5.54	7.14	10.31	.38	11	21.7	.006
COM 4T	6.350	16.667	6.35	9.71	12.70	.56	13.5	33.0	.01
COM 5T	7.938	19.050	7.14	9.53	14.27	.81	12	43.2	.014
COM 6T	9.525	20.638	7.92	10.31	16.66	.81	10	56.1	.017
COM 7T	11.113	23.017	8.71	11.10	17.45	.81	8	63.1	.021
COM 8T	12.700	25.400	9.91	12.70	20.65	.81	9.5	88.5	.029
COM 9T	14.288	27.780	11.10	14.27	23.01	.81	9.5	111.0	.039
COM 10T	15.875	30.163	12.70	15.88	25.40	.81	8.5	142.1	.05
COM 12T	19.050	36.513	15.06	19.05	30.15	1.12	9	213.1	.093
COM 14T	22.225	39.688	17.86	22.23	33.32	1.12	9.5	280.1	.119
COM 16T	25.400	44.450	20.24	25.40	38.10	1.12	10	368.6	.175

