

Housing:

Free-cutting or forged carbon steel, Zinc plated

Insert: free-cutting steel with PTFE

Inner ring:

Bearing steel, hardened, ground, polished, chrome plated

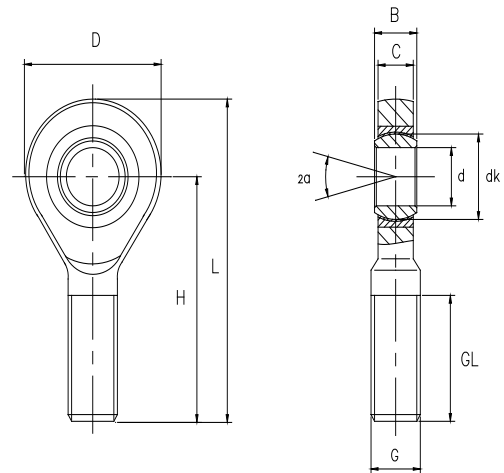
Sliding contact surface:

Steel/PTFE, maintenance free

杆端体: 碳钢, 车制件或精锻件, 镀白锌

衬套: 钢衬, PTFE自润滑

内圈: 轴承钢, 淬火, 磨加工, 抛光或镀铬



Bearing No. 型号	Dimensions millimeters 尺寸 mm							Load ratings 负荷			Weight 重量		
	d	B	C	D	H	L	dk	G	GL	α		dyn.	stat.
			max					6g	min		C (KN)	C ₀ (KN)	≈kg
SA 5 C	5	6	4.4	21	36	46	10	M5	16	13	3.6	3.9	0.016
SA 6 C	6	6	4.4	21	36	46	10	M6	16	13	3.6	5.5	0.016
SA 8 C	8	8	6	24	42	54	13	M8	21	15	5.8	10	0.028
SA 10 C	10	9	7	28	48	62	16	M10	26	12	8.6	16	0.05
SA 12 C	12	10	8	34	54	71	18	M12	28	11	11	23	0.086
SA 15 C	15	12	10	40	63	83	22	M14	34	8	18	32	0.14
SA 17 C	17	14	11	46	69	92	25	M16	36	10	22	44	0.19
SA 20 C	20	16	13	53	78	104.5	29	M20×1.5	43	9	31	60	0.32
SA 25 C	25	20	17	64	94	126	35.5	M24×2	53	7	51	83	0.56
SA 30 C	30	22	19	73	110	146.5	40.7	M30×2	65	6	65	110	0.89

Male thread: for a left hand thread, add L (example: SAL..C)

外螺纹: 对左螺纹, 加 L (例如: SAL..C)