

Outer ring:

Bearing steel, hardened, ground, phosphate treated,
with sealed from both sides

Inner ring:

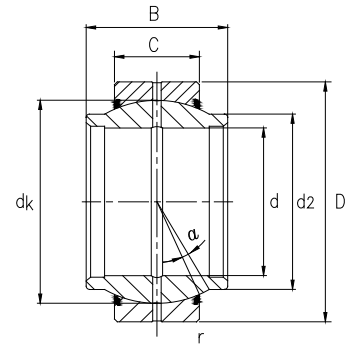
Bearing steel, hardened, ground, phosphate treated

Sliding contact surface:

Steel/steel, requiring maintenance

外圈: 轴承钢, 淬火, 磨加工, 磷化处理, 两面带密封圈

内圈: 轴承钢, 淬火, 磨加工, 磷化处理



Bearing No.										Load ratings		Weight
型号										负荷		重量
	d	D	B	C	dk	d2	r	α	dyn.	stat.		
									C (KN)	C ₀ (KN)	≈kg	
GEEM 20 ES 2RS	20 -0.01	35 -0.011	24±0.2	12 -0.24	29	24	0.3	3	30	146	0.069	
GEEM 25 ES 2RS	25 -0.01	42 -0.011	29±0.3	16 -0.24	35.5	29	0.6	3	48	240	0.12	
GEEM 30 ES 2RS	30 -0.01	47 -0.011	30±0.3	18 -0.24	40.7	34.2	0.6	3	62	310	0.15	
GEEM 35 ES 2RS	35 -0.012	55 -0.013	35±0.3	20 -0.3	47	40	1	3	80	400	0.26	
GEEM 40 ES 2RS	40 -0.012	62 -0.013	38±0.3	22 -0.3	53	45	1	3	100	500	0.32	
GEEM 45 ES 2RS	45 -0.012	68 -0.013	40±0.3	25 -0.3	60	51.5	1	3	127	640	0.43	
GEEM 50 ES 2RS	50 -0.012	75 -0.013	43±0.3	28 -0.3	66	56.5	1	3	156	780	0.55	
GEEM 60 ES 2RS	60 -0.015	90 -0.015	54±0.3	36 -0.4	80	67.7	1	3	245	1,220	1.1	
GEEM 70 ES 2RS	70 -0.015	105 -0.015	65±0.3	40 -0.4	92	78	1	3	315	1,560	1.6	
GEEM 80 ES 2RS	80 -0.015	120 -0.015	74±0.3	45 -0.4	105	90	1	3	400	2,000	2.5	